

T25/ 3 Rock and Roll Beds

1. Contact information

Name:

Order number :
If known

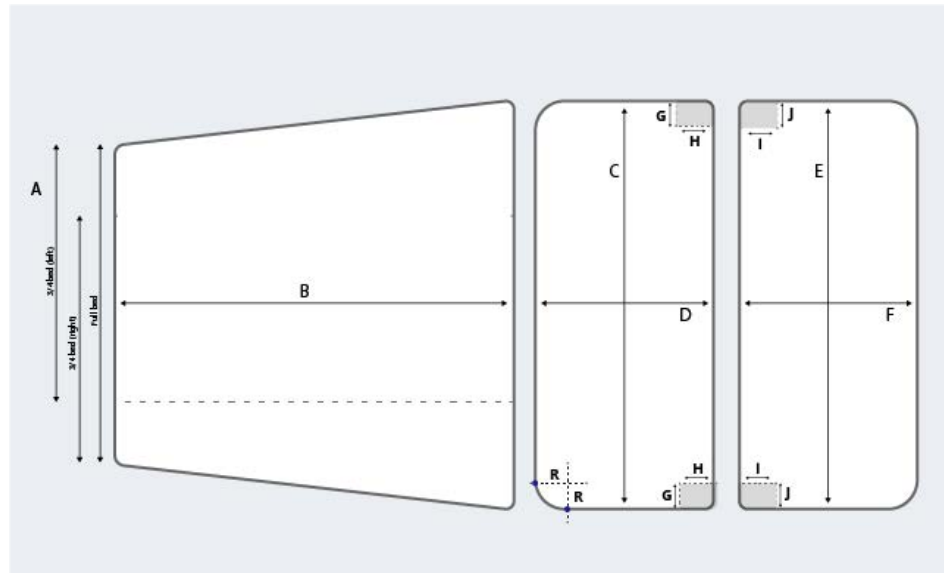
2. Campervan details

| | | | |
|----------------------|---------|---------|-----------------------|
| Vehicle Drive | Left | Right | |
| Bed width: | 3/4 | Full | 3/4 + full width rear |
| Bed position: | Central | Left | Right |
| Brand of bed: | | | |
| Bed assembly: | Frame | Bracket | |

3. Measurements

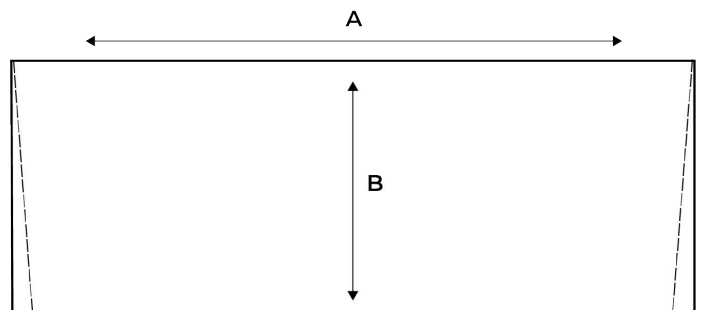
Measurements: (in millimeters)

A: B:
 C: D:
 E: F:
 Radius of bed board/ frame : R:
 Hinge point cut out (if applicable)
 G: H:
 I: J:



4. Kickboard (if applicable)

Dimensions: A B



Additional notes: